

# PHW 200 S Tilting TV Wall Mount

Article number (SKU) 6301200  
 Colour Black



## Key benefits

- Strong and Simple: solid, secure solutions to mount your TV
- Tilt (up to 15°) to avoid reflections
- Lock your TV securely in place

## For TVs up to 40 inch (102 cm)

The BASE 15 S is a durable TV wall mount, suitable for 19 to 40 inch (48 to 102 cm) TVs weighing up to 20 kg (44 lbs).

## Tilt your TV for a great viewing angle

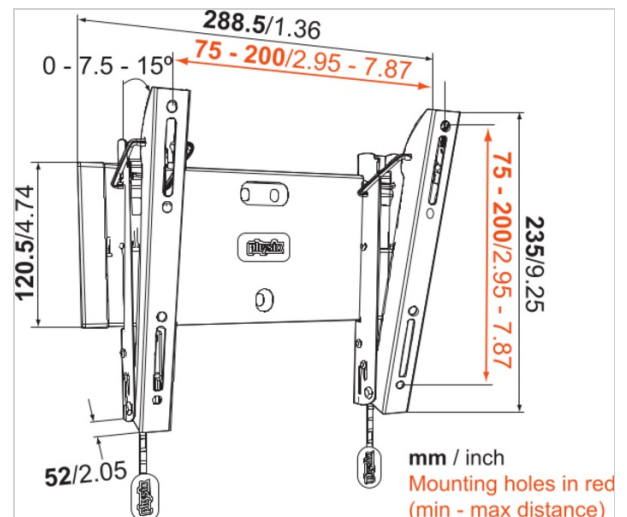
With the BASE 15 S, you can tilt your TV forward up to 15 degrees to get a great viewing angle. That means you can mount your TV higher up on the wall - saving even more space without sacrificing your TV watching experience.

## The BASE series: strong and simple

By choosing a BASE series wall mount, you choose a solid, secure solution for mounting your TV on the wall. A sturdy lock release feature clicks your TV safely into the bracket. Mounting the BASE 15 S is easy, as it comes with clear mounting instructions and all the mounting materials you need.

## Need to tuck your TV away even further?

Mount it in a corner to save even more space. Check out our full-motion TV wall brackets, perfect for any corner of the room.



# PHW 200 S Tilting TV Wall Mount



VOGEL'S HOLDING BV 2017 (c) All rights reserved  
 Subject to printing errors, technical and price  
 amendments  
 Date: 15-05-2017

[www.vogels.com](http://www.vogels.com)

## Specifications

### Product specifications

Product type number	PHW 200 S
Article number (SKU)	6301200
Colour	Black
EAN single box	8712285315145
Product size	S
TÜV certified	Yes
Tilt	Tilt up to 15°
Guarantee	10 years
Min. screen size (inch)	19
Max. screen size (inch)	40
Max. weight load (kg)	20
Min. hole pattern	75mm x 75mm
Max. hole pattern	200mm x 200mm
Max. bolt size	M8
Max. height of interface (mm)	235
Max. width of interface (mm)	289

### Features

Functionality Tilt

### Technical specifications and dimensions

Min. distance to the wall (mm) 52

