

PHW 300 L Full-Motion TV Wall Mount

Article number (SKU) 6303300
 Colour Black



Key benefits

- Strong and Simple: solid, secure solutions to mount your TV
- Smoothly turn your TV up to 120°
- Lock your TV securely in place

For TVs up to 65 inch (165 cm)

BASE 25 L is a durable TV wall mount, suitable for 40 to 65 inch (102 to 165 cm) TVs weighing up to 45 kg (99 lbs).

Full-motion mount for the best view

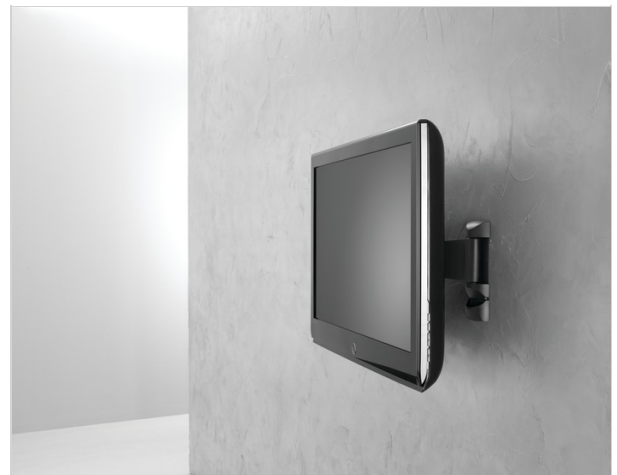
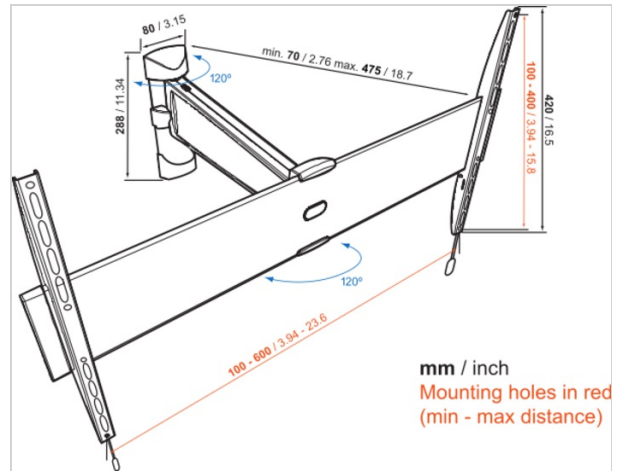
What's better than mounting your TV flush against the wall to save space? Being able to pull it out and turn it up to 60 degrees both ways to get the perfect viewing angle from anywhere in the room. The BASE 25 L is solid, strong and flexible.

The BASE series: strong and simple

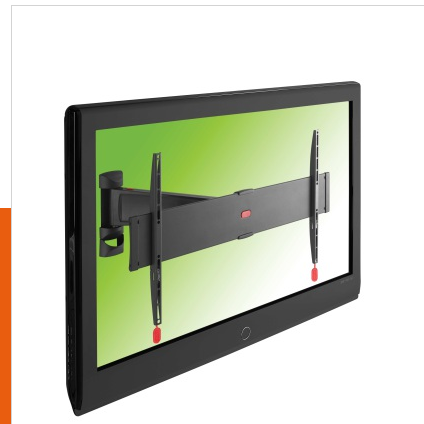
By choosing a BASE series wall mount, you choose a solid, secure solution for mounting your TV on the wall. A sturdy lock release feature clicks your TV safely into the bracket. Mounting the BASE 25 L is easy, as it comes with cleat mounting instructions and all the mounting materials you need.

Want a great angle from any position?

Need a perfect viewing angle, no matter where you are in the room? Take a look at our wide-angle full-motion TV wall brackets, which turn up to 180°.



PHW 300 L Full-Motion TV Wall Mount



VOGEL'S HOLDING BV 2017 (c) All rights reserved
Subject to printing errors, technical and price
amendments
Date: 15-05-2017

www.vogels.com

Specifications

Product specifications

Product type number	PHW 300 L
Article number (SKU)	6303300
Colour	Black
EAN single box	8712285315282
Product size	L
TÜV certified	Yes
Turn	Motion (up to 120°)
Guarantee	10 years
Min. screen size (inch)	40
Max. screen size (inch)	65
Max. weight load (kg)	45
Min. hole pattern	100mm x 100mm
Max. hole pattern	600mm x 400mm
Max. bolt size	M8
Max. height of interface (mm)	420
Max. width of interface (mm)	690

Technical specifications and dimensions

Min. distance to the wall (mm)	70
--------------------------------	----

Features

Functionality	Turn
Number of arms	1
Number of pivot points	2

