

# Ergovida

EMA84 Series

## **Slim Heavy-Duty** Mechanical Spring Monitor Arms

Support most 17" to 40" screens up to 12kg (26.4lbs).



# EMA84 Series

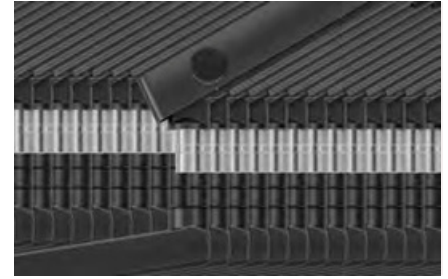
## Slim Heavy-Duty Mechanical Spring Monitor Arms



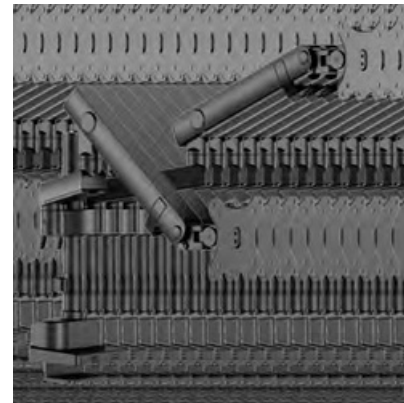
**Detachable VESA Plate**  
for easy installation and removal



**Spring Tension Mechanism**  
for perfect weight adjustments

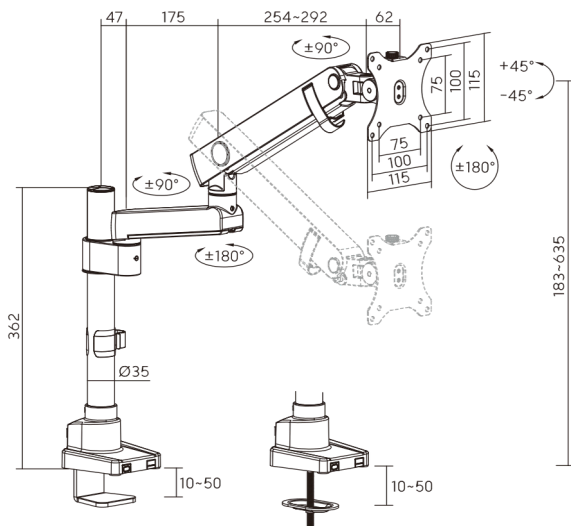


**Quick-Release Joint**  
for easy assembly while reducing packaging size (perfect for e-commerce)

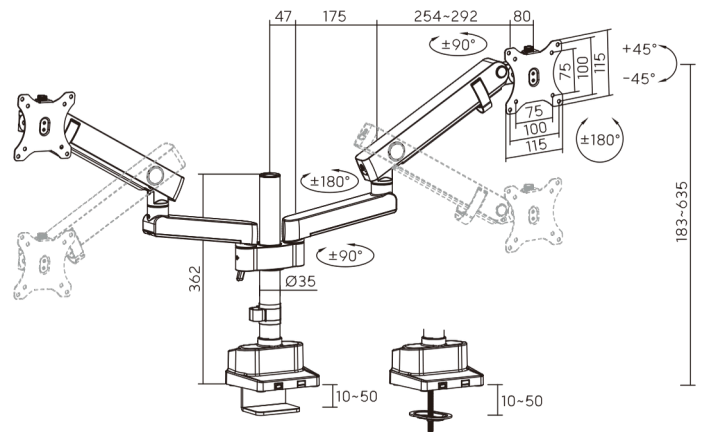


Note: Dimensions in the line drawings are mm.

### EMA84-C12PB For Single Monitor



### EMA84-C24PB For Dual Monitors



Colours:

Item No.	EMA84-C12PB	EMA84-C24PB
Screen Size	17"-40"	17"-35"
Weight Capacity(per flat screen)		2-12kg (4.4-26.4lbs)
Weight Capacity(per curved screen)		2-11kg (4.4-24.2lbs)
VESA Compatible		75x75, 100x100
Tilt Range		+45°--45°
Swivel Range		+90°--90°
Screen Rotation		+180°--180°
Material		Aluminium, Steel, Plastic