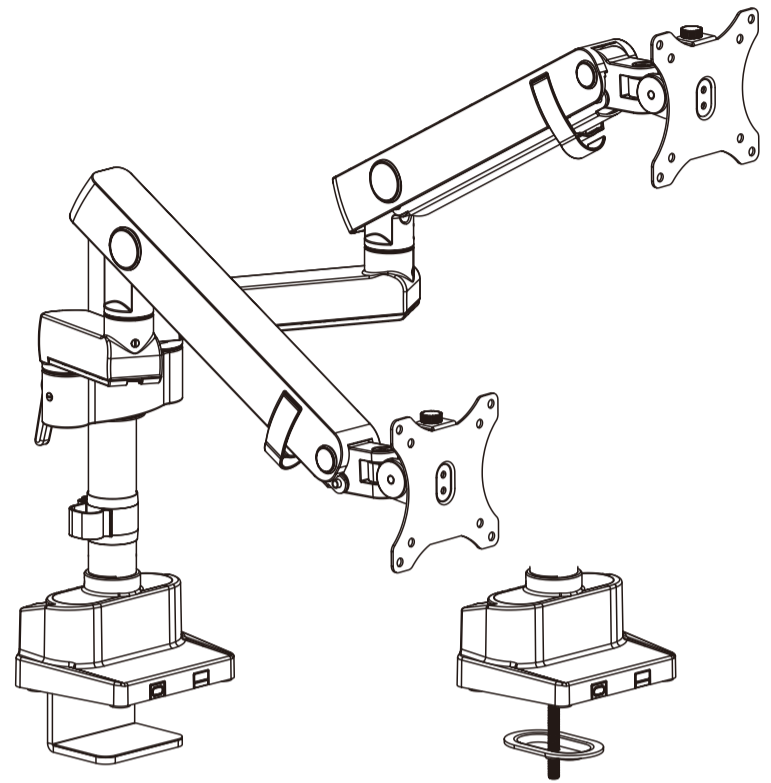


Ergovida

Assembly Instructions

COUNTERBALANCE DUAL MONITOR ARM



Ergovida

CANOHM

4/30 Prohasky Street
Port Melbourne, Victoria
3207 Australia

Telephone 1800 636 026

Email sales@canohm.com.au

Website www.ergovida.com.au

Please dispose of this packaging
in a responsible manner – recycle
cardboard/plastic wherever possible.

EMA84-C24PB

VESA Compatible
75x75 100x100

17"-35"
FLAT/CURVED

(2-11kg)x2

V1

7

2+

Before adjusting the spring tension and during the adjustment process, **position and hold the arm horizontally as shown**. Use the supplied Allen Key for adjustment. Ask for assistance should you require it.

If the arm **drops**, turn the adjustment screw in the + direction until it remains in a horizontal position.

If the arm **rises**, turn the adjustment screw in the - direction until it remains in a horizontal position.

CAUTION: DO NOT over tighten the screws.

8

9

Note: If the display does not stop at your desired position, adjust the screws using the tools as shown.

10

CAUTION: DO NOT rotate the monitor past rear edge of desk to avoid an unstable situation that may cause tipping.

