

**Ergovida**  
www.Ergovida.com.au

Proudly Distributed in Australia by



4/30 Prohasky Street  
Port Melbourne, Victoria  
3207 Australia

Phone: 1800 636 026  
E-mail: orders@canohm.com.au  
ABN 57 004 817 949



Ergovida | Ergonomic Office Solutions 2025



www.Ergovida.com.au

**Ergovida**  
**Ergonomic**  
**Office Solutions**  
2025



## CANOHM

Established in 1963, Canohm is an importer and distributor of consumer electronics, ergonomic furniture and custom integration solutions.

We pride ourselves on sourcing and distributing a wide range of premium home entertainment products including A/V mounting solutions, analogue and digital radios from around the world. Canohm is the sole appointed Australian distributor for Vogel's (The Netherlands), Sangean (Taiwan), Minix(Hong Kong), Amina (England), Future Automation (England), Tyba(England) and Marmitek (Netherlands) in addition to our homebrands, Ergovida and EZYmount (Australia/China).

To support the brands and products we represent, we offer our customers and end-users the highest possible levels of technical support, product guidance, and after-sales service second to none in this industry. Our trained team of experts go out of their way to ensure the best possible customer experience. We have a nationwide team of sales representatives and are proud to support our customers across Australia.

Canohm pursues the highest levels of professionalism at all times and in all areas of the business. Canohm's products comply with all Government and Regulatory standards.

Discover the Canohm difference. Great products and even better people.

## Ergovida

The **Ergovida** range of desks, chairs and accessories is the perfect solution to furnish your work and home environment with ergonomic furniture that supports your back and posture whilst you work, study and play.

With many of us spending each day sitting in front of a desk, Ergovida addresses the ergonomic needs of your back, neck, arms and legs. This fun and functional furniture range are simple and durable, whilst helping to prevent postural damage, backache and headache.

The many design features include tiltable desktops, height adjustment for desks and chairs and winged backrests on chairs for general well-being.

**Choose Ergovida furniture to get on with your day - in a healthy way!**



OFFICIAL  
PARTNER  
2025





## ERGONOMIC PRODUCT TABLE OF **CONTENTS**

01 **DESK FRAMES**  
Electric Multi-Motor Sit-Stand Desks  
Compact Electric Single-Motor Sit-Stand Desks

11 **WORKSTATIONS**  
Gas Spring Scissor Lift Sit-Stand Desk  
Converters  
Electric Sit-Stand Workstations  
Electric Sit-Stand Desk Converter with  
Keyboard Tray

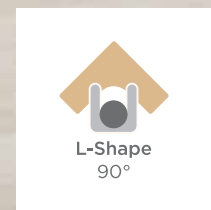
29 **MONITOR RISERS**  
Tempered Glass Surface Smart Stands  
Tempered Glass Monitor Risers

09 **CABLE MANAGEMENT**  
Cable Snake  
Adjustable Cable Tray for Back-to-Back  
Standing Desk  
Bracket for Cable Tray to Suit EED-623D

21 **MONITOR ARMS**  
Slim Heavy-Duty Mechanical Spring Monitor Arms  
Premium Slim Aluminium Spring-Assisted  
Monitor Arms  
Aluminium Heavy-Duty Spring-Assisted Monitor  
Arms  
Premium Aluminium Gas Spring Monitor Arms  
Aluminium Articulating Monitor Arms

31 **ERGONOMIC ACCESSORIES**  
Active Stool  
Office Comfort  
Multi-Purpose Mobile Workstations

# Sit to stand corner workstation



- Up & Down Movement
- 3 Memory Settings
- Timer
- CM/INCH Conversion

Touch

**OPTIONAL DESKTOPS**  
Material, Colours, Shape and Dimension are customisable.

Particle Board

- White
- Light wood
- Oak
- Walnut

EED-6 Series

# Electric Multi-Motor Sit-Stand Desks

The EED-6 Series is a high-performance adjustable frame that combines durability and technology. Laboratory tested to 23,000 cycles with a loaded weight of 125kg for smooth and quiet height adjustments.



### Proprietary Gyro-Current Collision Avoidance System

Improved sensing technology for better detection of soft and hard objects in the movement path.



### User Programmable Height Range

Customise the upper and lower height settings to accommodate objects around you, such as under desk cabinets or storage units.



### Easy-Assembly

Advanced frame design reduces set-up time while providing long-term stability for confident daily use.



**EED-623D** Standard



Colours:

**EED-633D** Standard



Colours:

**EED-643D**



Colours:

Item No.	EED-623D	EED-633D	EED-643D
Width Range	1000-1700mm	1000-1700mm & 1175-1805mm	1000-1700mm
Height Range	620-1280mm	620-1280mm	620-1280mm
Weight Capacity	125kg	150kg	125kgx2
Control Type	Touch	Touch	Touch
Max. Speed	38mm/s	38mm/s	38mm/s
Decibel	<50dB	<50dB	<50dB
Power Input	100-240V	110/230V	100-240V
Colour Options	Black, white or grey	Black, white or grey	Black or white

EED-8 Series  
Compact Electric Single-Motor  
**Sit-Stand Desks**

Commercial quality at affordable price

COMPACT ELECTRIC SINGLE-MOTOR SIT-STAND DESKS

EED-8 SERIES



**Powerful Lifting Columns**  
Quiet and smooth movement  
with high speed



**Strong Reliable Motor**  
For stable and smooth transitions

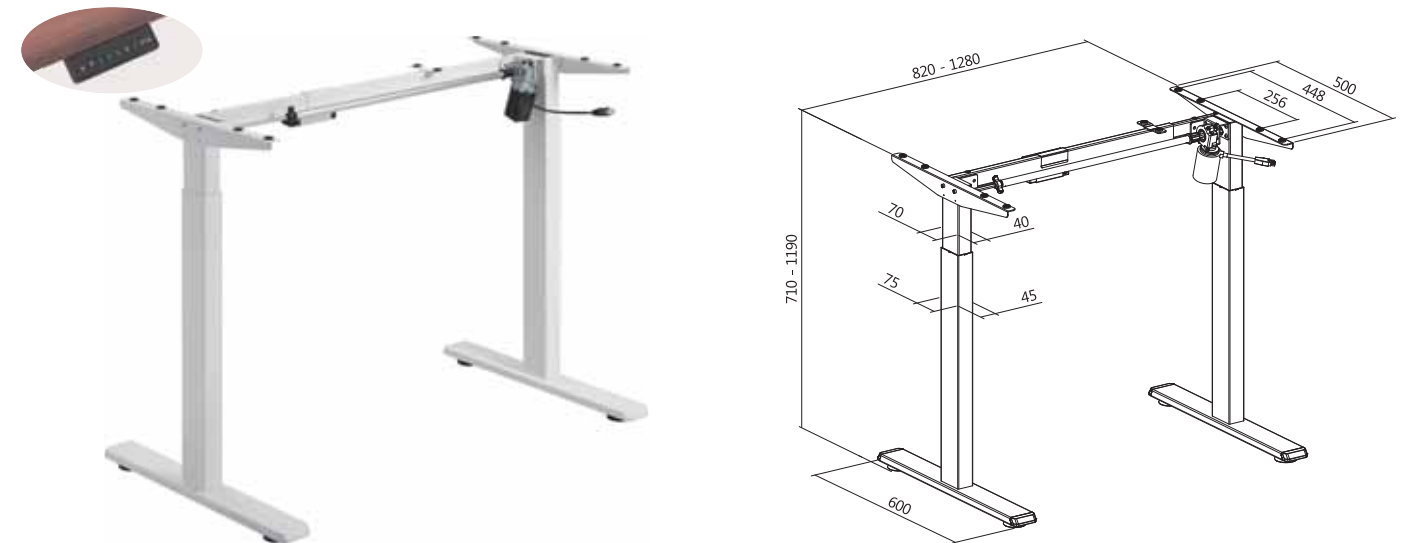
Callout 3 points to the Advanced Memory Controller. Features include:

- Advanced Memory Controller
- Up & Down Movement
- 3 Memory Settings
- Timer
- CM/INCH Conversion

Note: Dimensions in the line drawings are mm.

EED-822D

Standard Column  2-Stage

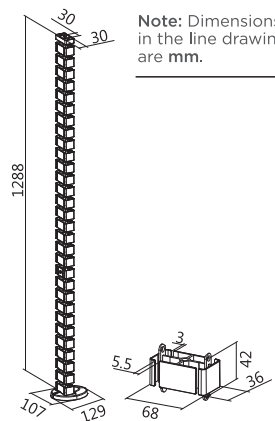


Colours:

Item No.	EED-822D
Width Range	820-1280mm
Height Range	710-1190mm
Weight Capacity	80kg
Max. Speed	25mm/s
Colour Options	Black or white



ECS10-1



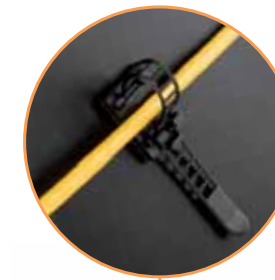
Note: Dimensions in the line drawings are mm.

Item No.	ECS10-1
Material	Steel, ABS, Magnet
Dimensions	107x129x1288mm
Colour Options	Black or white

Colours:

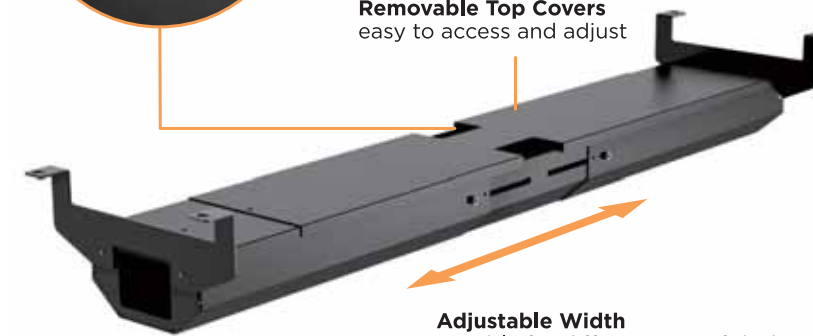
ECC11-3 Adjustable Cable Tray for Back-to-Back Standing Desk

Guide the cables to the tray using **ECS10-1 Cable Snake** through the holes on the top and run the cable through the holes on both sides as shown-Maintain full-stop a neat and clean appearance underneath your back-to-back standing desk.



Self-Adhesive Cable Straps Included (x10)  
keeps your electronics safe and organised

Removable Top Covers  
easy to access and adjust

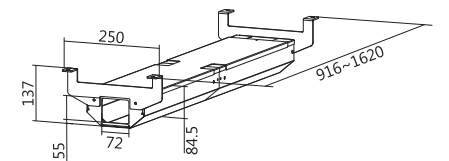


Adjustable Width  
suitable for different size of desktop



Conceal the Sockets and Cables  
create clean and organised legroom

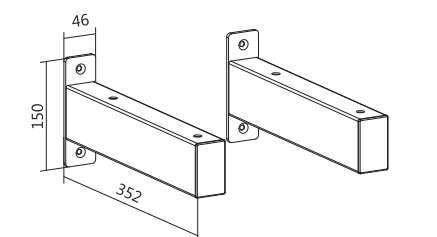
Note: Dimensions in the line drawings are mm.



ECB02 Bracket for Cable Tray to Suit EED-623D



Note: Dimensions in the line drawings are mm.



Colours:

Item No.	ECB02
Dimensions	352x150x46mm
Material	Steel
Colour Options	Black or white



EDT-S28 SERIES

# Gas Spring Scissor Lift Sit-Stand Desk Converters



## GAS SPRING SCISSOR LIFT SIT-STAND DESK CONVERTERS

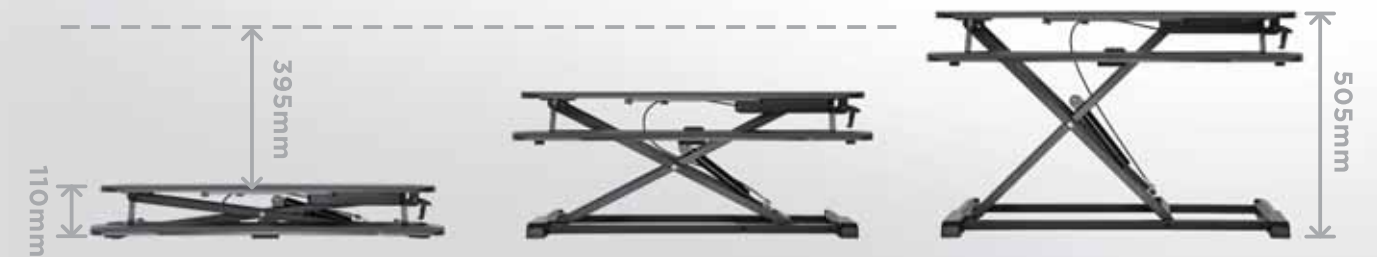
EDT-S28 SERIES

### A Sleek design combined with strong holding power

EDT-S28 Series will turn any workspace into an active, healthy, height adjustable sit-stand desk. With EDT-S28 Series, you can increase movement, gain energy, and become more productive by adopting new active work habits.



### Smooth Gas Spring Height Adjustment accommodates most users



**Easy Squeeze Handle** adjusts the height in a snap



**Extra Storage Slot** for phone, tablet and other accessories

## GAS SPRING SCISSOR LIFT SIT-STAND DESK CONVERTERS

EDT-S28 SERIES



## ELECTRIC SIT-STAND WORKSTATIONS

EDT10 SERIES



**EDT-S28.1N** Compact Surface with Deluxe Desktop



**EDT-S28.2N** Standard Surface with Deluxe Desktop



Colours:

Item No.	EDT-S28.1N	EDT-S28.2N
Worksurface Material	MDF & PVC	MDF & PVC
Product Dimensions	800x615x110-505mm	950x615x110-505mm
Worksurface Size	800x400mm	950x400mm
Tabletop Thickness	15mm	15mm
Height Range	110-505mm	110-505mm
Worksurface Weight Capacity	15kg	15kg
Keyboard Weight Capacity	2kg	2kg



Colours:

Item No.	EDT10-T01	EDT10-T02
Worksurface Height Range	35-535mm	
Worksurface Dimensions	720x480mm	
Height Range	710-1210mm	
Weight Capacity	20kg	
Suggested Screen Size*	13"-32"	
VESA Compatible	75x75 100x100	
Tilt Range	+45° - -45°	
Swivel Range	+30° - -30°	
Screen Rotation	360°	
Power Input	100V-240V	
Maximum Speed	25mm/s	
Cable Management	✓	
Colour Options	Black or white	

EDT-S15.2

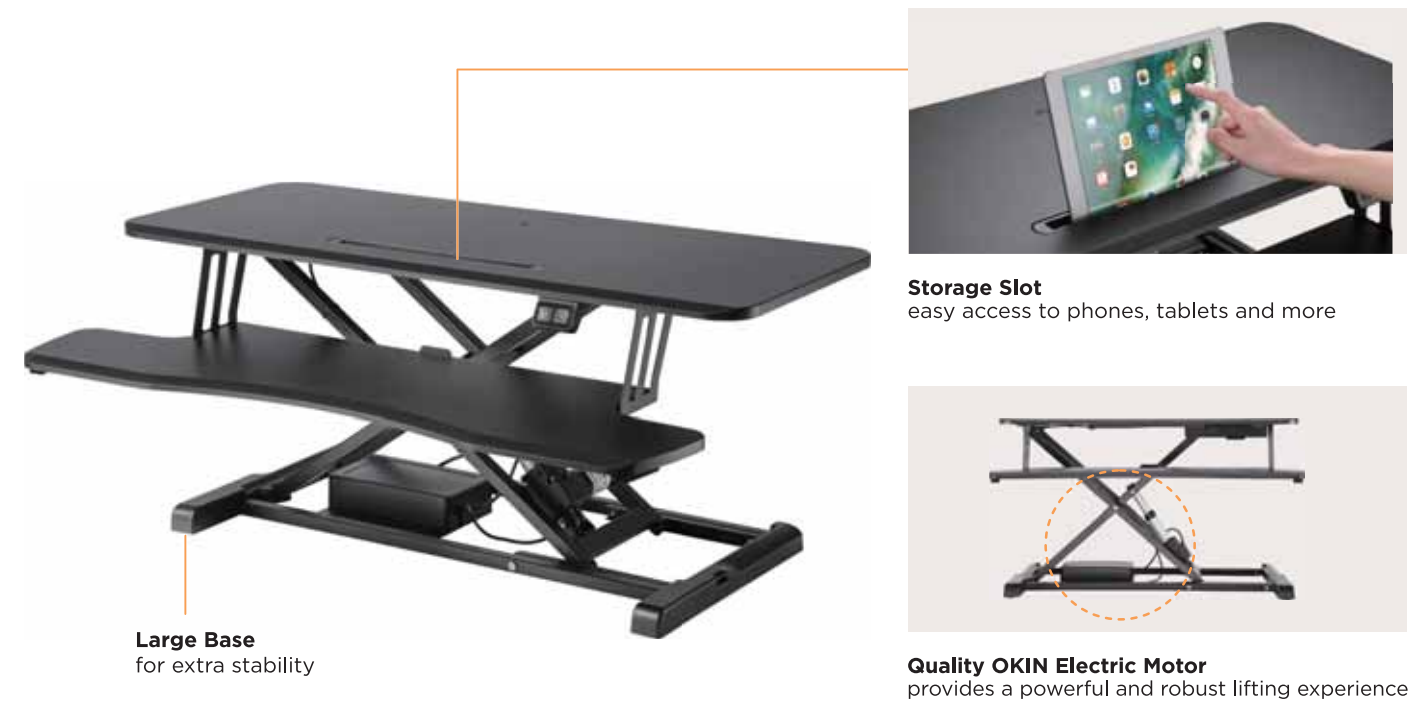
## Electric Sit-Stand Desk Converter with Keyboard Tray

There is no better choice than the EDT-S15.2 when it comes to effortless transition between sitting and standing – with only a touch of the button. It can be placed on any worksurface, turning your normal desk into an ergonomic sit-stand desk.



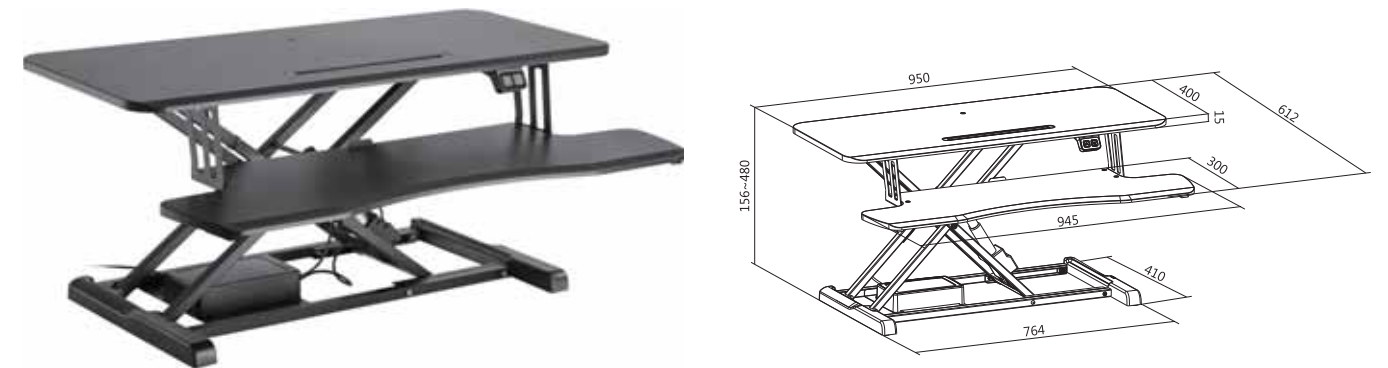
## ELECTRIC SIT-STAND DESK CONVERTER WITH KEYBOARD TRAY

EDT-S15.2



Note: Dimensions in the line drawings are mm.

### EDT-S15.2 Standard Surface



Item No.	EDT-S15.2
Worksurface Size(LxW)	950x400mm
Worksurface Thickness	15mm
Worksurface Weight Capacity	20kg
Height Range	156-480mm
Power Input	100-240V
Material	MDF & PVC, Steel, Plastic

EMA84 Series

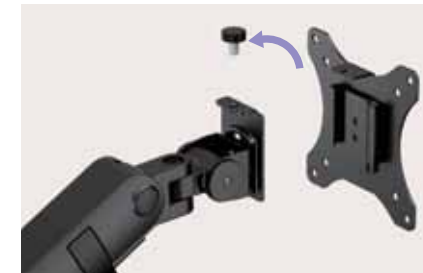
# Slim Heavy-Duty Mechanical Spring Monitor Arms

Support most 17" to 40" screens up to 12kg (26.4lbs).



## SLIM HEAVY-DUTY MECHANICAL SPRING MONITOR ARMS

EMA84 SERIES



**Detachable VESA Plate**  
for easy installation and removal



**Spring Tension Mechanism**  
for perfect weight adjustments

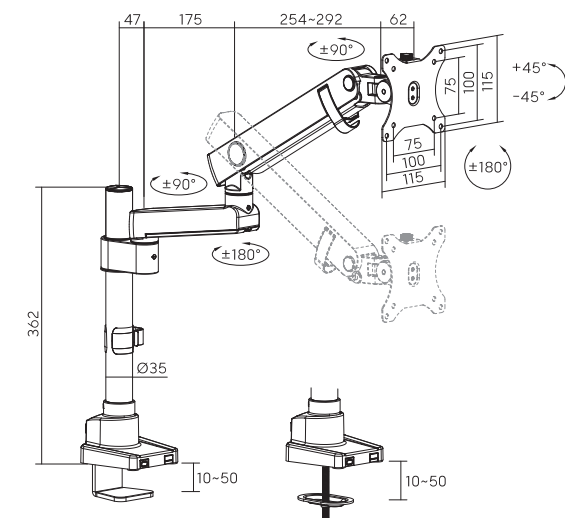


**Quick-Release Joint**  
for easy assembly while reducing packaging size (perfect for e-commerce)

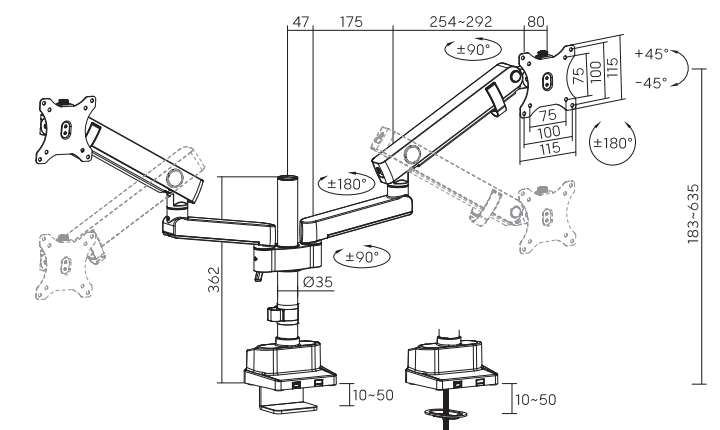


Note: Dimensions in the line drawings are mm.

**EMA84-C12PB** For Single Monitor



**EMA84-C24PB** For Dual Monitors



Colours:

Item No.	EMA84-C12PB	EMA84-C24PB
Screen Size	17"-40"	17"-35"
Weight Capacity(per flat screen)	2-12kg (4.4-26.4lbs)	
Weight Capacity(per curved screen)	2-11kg (4.4-24.2lbs)	
VESA Compatible	75x75, 100x100	
Tilt Range	+45°--45°	
Swivel Range	+90°--90°	
Screen Rotation	+180°--180°	
Material	Aluminium, Steel, Plastic	

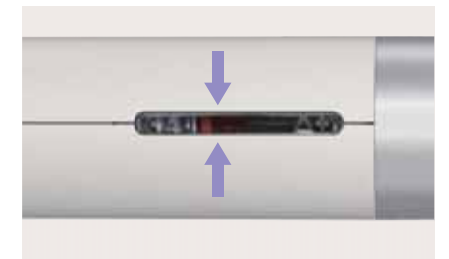
EMA49 Series

# Premium Slim Aluminium Spring-Assisted Monitor Arms

Featuring **slim arms and outstanding flexibility**, the EMA49 Series Monitor Arms combine great looks and smooth movement resulting in a better work experience. Ideal for applications requiring frequent display adjustments, including financial analysis, creative work and more.



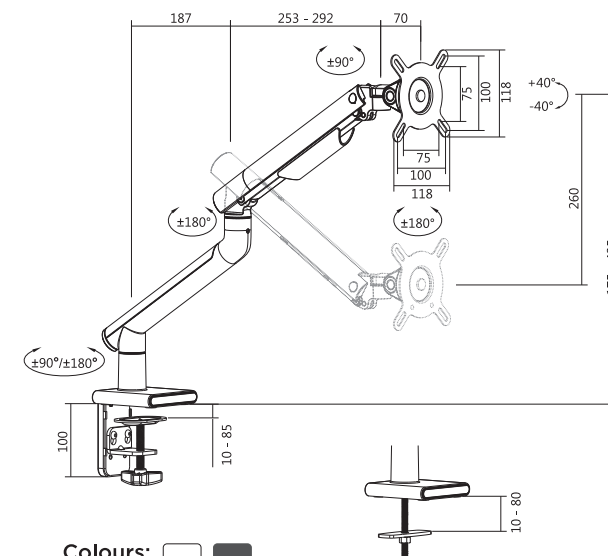
**Quick-Release VESA Plate** allows for effortless installation and removal



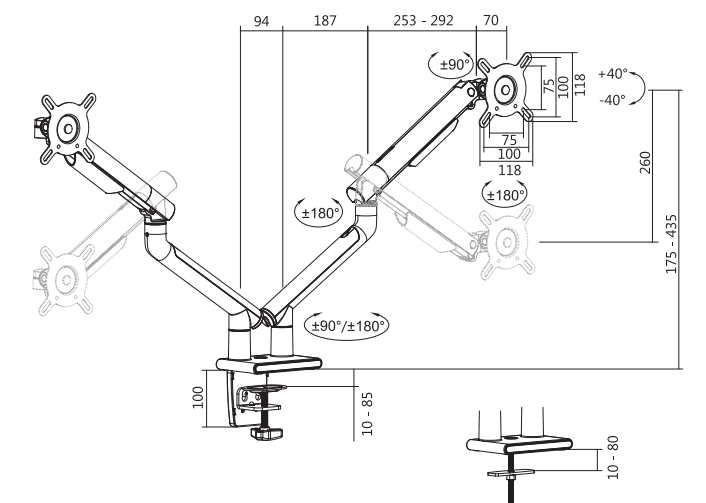
**Tension Indicator** designed for spring tension alignment when installing multiple monitors

Note: Dimensions in the line drawings are mm.

**EMA49-C12** For Single Monitor



**EMA49-C24** For Dual Monitors



Colours:

Item No.	EMA49-C12	EMA49-C24
Screen Size		17"-32"
Weight Capacity(per screen)		2-9kg
VESA Compatible		75x75, 100x100
Tilt Range		+40°--40°
Swivel Range		+90°--90°
Screen Rotation		+180°--180°
Material		Aluminium, Steel, Plastic
Colour Options		White or space grey

EMA60 Series

# Aluminium Heavy-Duty Spring-Assisted Monitor Arms

Performance That Goes Beyond Customer's Expectation



**Detachable VESA Plate**  
for quick attachment and detachment



**Quick-Release Joint**  
for easy user assembly while reducing packaging size

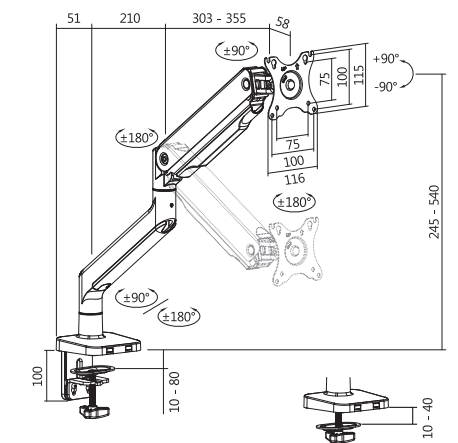


**Integrated 180° Rotation Stop**  
prevents the arm from hitting adjacent partitions and walls

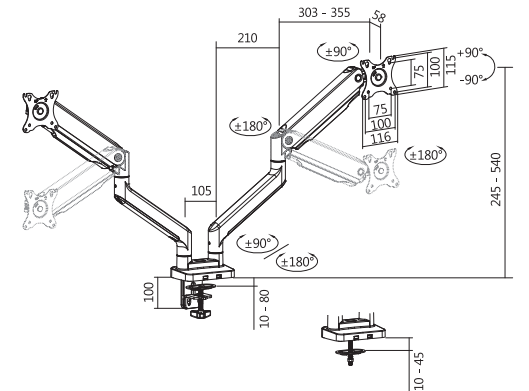


Note: Dimensions in the line drawings are mm.

**EMA60-C12** For Single Monitor



**EMA60-C24** For Dual Monitors



Item No.	EMA60-C12	EMA60-C24
Fit Screen Size	17"-45"	17"-35"
Weight Capacity (per screen)		2-16kg
Weight Capacity (per curved screen)		2-13kg
VESA Compatible	75x75, 100x100	
Tilt Range	+90°--90°	
Swivel Range	+90°--90°	
Screen Rotation	+180°--180°	
Material	Aluminium, Steel, Plastic	

# PREMIUM ALUMINIUM GAS SPRING MONITOR ARMS

## EMA10 SERIES

### Aluminium Construction

provides a sleek, lighter, and elegant look.



↑ EMA10-C24



Slide-in VESA Plate



3.0 USB Port & Multimedia Ports

Compliant tested to ANSI/BIFMA mechanical safety and performance standards.  
(EMA10-C12 Only)

- Screen Size\*  
13"-32"
- VESA Compatible  
75x75 100x100
- Tilt Range  
+90° - -90°
- Swivel Range  
+90° - -90°
- Screen Rotation  
180°
- Cable Management
- Clamp & Grommet Installation
- Curved Monitor
- Gas Spring

\*The screen size we suggest is for most monitors & laptops in the range.



Weight Capacity  
1-9kg

#### EMA10-C12

Full Extension: 605mm  
VESA Plate Height: 170-505mm  
175-510mm



Weight Capacity  
1-9kg

#### EMA10-C24

EMA10-C24U (USB Version)  
Full Extension: 1100mm  
VESA Plate Height: 170-505mm  
175-510mm



Weight Capacity  
1-7kg

#### EMA10-C36U (USB Version)

Full Extension: 1524mm  
VESA Plate Height: 175-510mm

### EMA34 Series

## Premium Aluminium Gas Spring Monitor Arms

Designed with a compact V shape, the sleek arms of the EMA34 Series release space and free you from desktop chaos. It improves work productivity by supporting side-by-side monitors, allowing for easy and personalized adjustments.





**EMA34-C12** For Single Monitor

**EMA34-C24** For Dual Monitors



Colours:



Colours:



**Detachable VESA Plate**  
for a quick and  
easy installation



**Effortless Gas Spring Design**  
adjusts easily to the most  
comfortable viewing position

Item No.	EMA34-C12	EMA34-C24
Fit Screen Size	17"-32"	17"-32"
Weight Capacity (per screen)	1-9kg	1-9kg
Tilt Range	+90°--90°	+90°--90°
Swivel Range	+90°--90°	+90°--90°
Screen Rotation	+90°--90°	+90°--90°
Material	Aluminium, Steel	Aluminium, Steel



EMA30 Series

# Aluminium Articulating Monitor Arms

The EMA30 Series combines value and versatility into a single product solution. The aluminium arm creates a stylish and elegant look adding to any home or office décor. The flexible arm joint and rotating/tilting VESA plate allows the user to adjust the height and angle of monitors, offering the absolute best viewing experience.



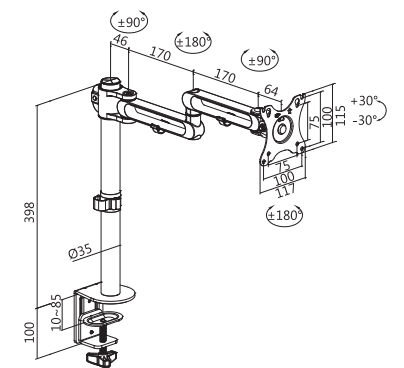
**Keyhole Pattern VESA Slot**  
for quick attachment and detachment



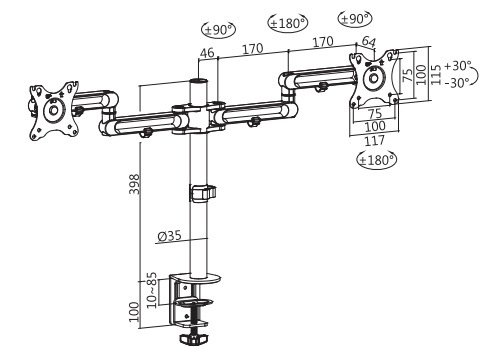
**Versatile Movement**  
adjust monitors for optimal viewing experience

Note: Dimensions in the line drawings are mm.

**EMA30-C12** For Single Monitor / Large Swivel



**EMA30-C24** For Dual Monitors / Large Swivel



Colours:

Item No.	EMA30-C12	EMA30-C24
Fit Screen Size	17"-32"	17"-32"
Weight Capacity (per screen)	8kg	8kg
Tilt Range	+30° - -30°	+30° - -30°
Swivel Range	+90° - -90°	+90° - -90°
Screen Rotation	+180° - -180°	+180° - -180°
Material	Aluminium, Steel	Aluminium, Steel
Colour Options	Black or silver	Black or silver

# MONITOR RISER

SURFACE MATERIAL



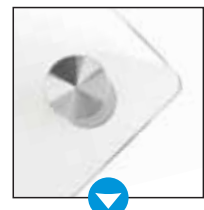
ESS-101 / ESS-102

# Tempered Glass Monitor Risers

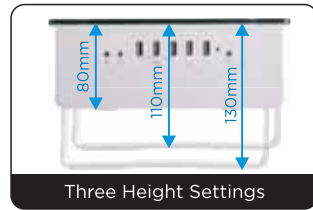
Tempered glass is able to resist breakage, offering strength to hold any monitors, books and speakers up to 20kg. It is also scratch resistant and will stand up to everyday use.

## TEMPERED GLASS SURFACE SMART STANDS

ESS-93



Tempered Glass



Three Height Settings



Convenient Side Slot



Anti-Slip Pads

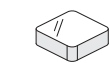


**ESS-93**  
3 USB 2.0 Ports  
Multimedia Ports (MIC/Headphone)  
2 USB Quick Charge Ports (1.5A/2.4A)



- Multimedia Port
- USB 2.0 Port
- Quick Charge Port

For extra data transfer, fast charging and sound input/output.



Desktop Thickness  
5mm



Weight Capacity  
20kg

## TEMPERED GLASS MONITOR RISERS

ESS-101 / ESS-102

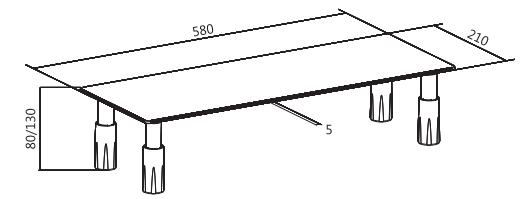
Note: Dimensions in the line drawings are mm.

ESS-101



Two Height Settings

Plastic Feet  5mm Thickness

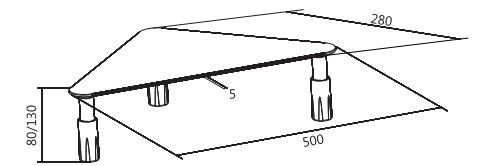


ESS-102



Two Height Settings

Plastic Feet  5mm Thickness



Item No.	ESS-101	ESS-102
Fit Screen Size	13-32"	13-32"
Surface Thickness	5mm	5mm
Height Range	80/130mm	80/130mm
Weight Capacity	20kg	20kg
Material	Plastic, Tempered Glass	Plastic, Tempered Glass

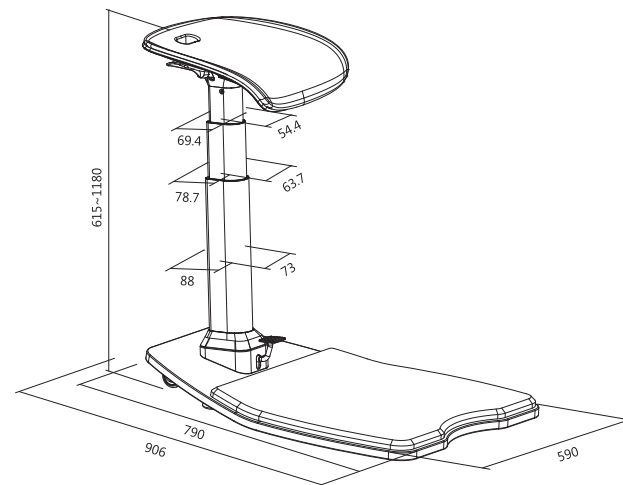
Ergonomic Leaning Chair

*Adapts to Your Posture - Set Your Body Free!*



Note: Dimensions in the line drawings are mm.

ECH-071



Item No.	ECH-071
Weight Capacity	125kg
Height Range	615-1180mm
Surface Material	PU Foam
Mat Material	PU Foam
Caster Type	PU Hooded Caster

ANTI-FATIGUE STANDING MAT

Whether standing long hours at home or at the office, an anti-fatigue mat can be a lifesaver to tired, achy feet and legs.



**ESM-012**  
 Dimensions: 990x510x20mm  
 Material: PVC, PU, SBR



**Anti-Slip Surface**  
 Reduces slipping risks.



**Bevelled Edges**  
 Are wide, rounded and do not curl-up, avoiding falls and risk of trip hazard to the user.



**Waterproof Material**  
 Can be easily cleaned with some water and a cloth when dirty.

Mount Your CPU, Save Valuable Work Surface!



**ECPU-5 Under Desk**  
 Sliding Mechanism: 310mm

Screen Rotation: 360°  
 Weight Capacity: 10kg  
 Adjustable Height: 300-533mm  
 Adjustable Width: 88-203mm

CPU MOUNT



DESK MOUNTED POLYESTER FIBER PRIVACY PANELS



**Polyester Fiber Material**  
reduces noise



**Clamp-On Design**  
offers easy installation



**Woven Surface**  
allows to pin up photos, to-do's etc..

DESK MOUNTED POLYESTER FIBER PRIVACY PANELS

Dimensions



**PEAP15060G**  
1500x600x20mm  
(59.1"x23.6"x0.8")



**PEAP15080G**  
1500x800x20mm  
(59.1"x31.5"x0.8")



**PEAP18060G**  
1800x600x20mm  
(70.9"x23.6"x0.8")



**PEAP18080G**  
1800x800x20mm  
(70.9"x31.5"x0.8")



**PEAP150607560G**  
Back: 1500x600x20mm  
(59.1"x23.6"x0.8")  
Side: 750x600x20mm  
(29.5"x23.6"x0.8")



**PEAP180607560G**  
Back: 1800x600x20mm  
(70.9"x23.6"x0.8")  
Side: 750x600x20mm  
(29.5"x23.6"x0.8")

# MULTI-PURPOSE MOBILE WORKSTATIONS

## EMC-01 SERIES



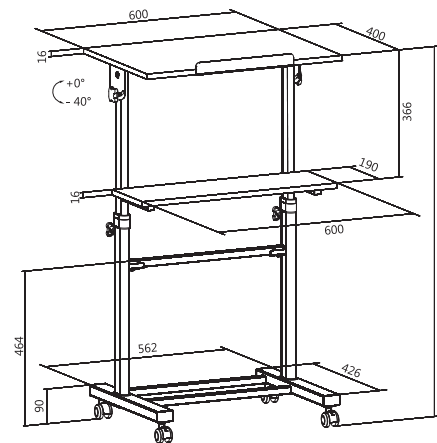
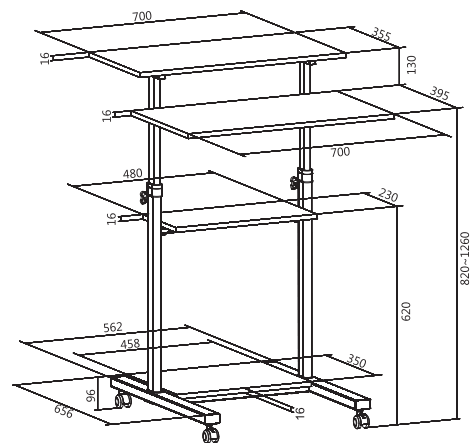
Complete home and office solutions



Note: Dimensions in the line drawings are mm.

EMC-01 3-Tier Shelf

EMC-01A 2-Tier Shelf



Item No.	EMC-01	EMC-01A
Worksurface Size(LxW)	700x355mm	600x400mm
Worksurface Thickness	16mm	16mm
Worksurface Weight Capacity	60kg	40kg
Tilt Range	N/A	0°-40°
Height Range	820-1260mm	1050-1270mm
Material	Particle Board & Melamine, Steel	Particle Board & Melamine, Steel