



**Ergovida**

**EDT-S04 Series**  
(Unavailable in USA)

# **Sit-Stand Desktop Workstation Stands**

\*Some geographic restrictions apply, please contact your LUMI sales representative for availability

Email [sales@canohm.com.au](mailto:sales@canohm.com.au)

[canohm.com.au](http://canohm.com.au)

EDT-S04 Series

(Unavailable in USA)

# Sit-Stand Desktop Workstation Stands

\*Some geographic restrictions apply, please contact your LUMI sales representative for availability

# Ergovida

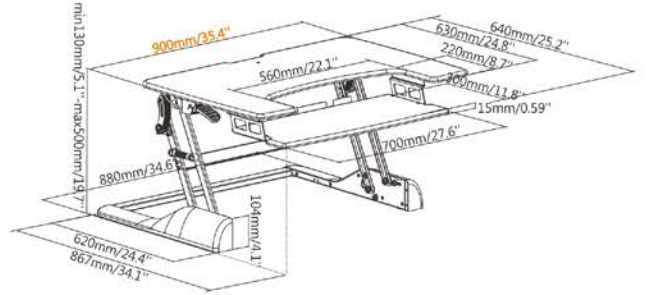
Color:



Weight Capacity  
15kg/33lbs

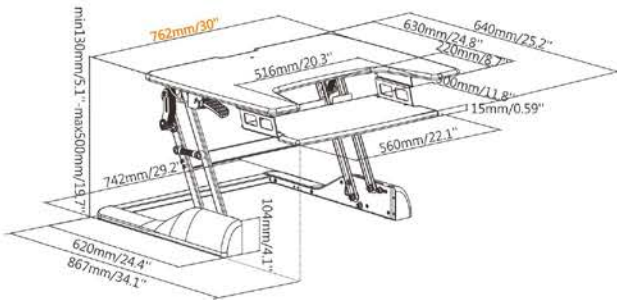


Weight Capacity  
2kg/4.4lbs



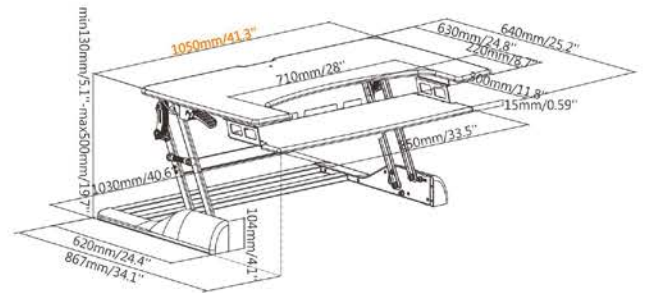
## EDT-S04.1

Standard Surface



## EDT-S04.2

Small Surface



## EDT-S04.3

Large Surface



**Dual Squeeze Handles** effortlessly activate and inactivate the height adjustment mode.



**Stepless Height Adjustment** allows a comfortable standing or sitting position as you want.



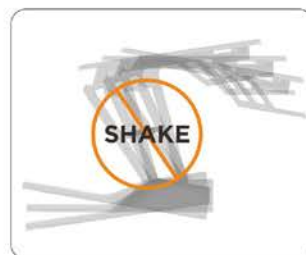
**Ergonomic Keyboard Tray** raises in sync with the top surface creating a comfortable work space.



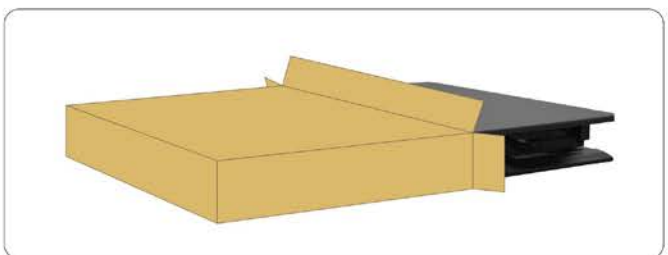
**Non-skid Silicone Pads** protect work surface from scratches or scuffs.



**Spring Lifting Mechanism** allows to easily move the desk up and down, even with your computer equipment.



**Sturdy Construction** keeps stable and solid even fully extended.



**No Assembly Required** comes ready to use out of the box.