



Collaborative Workspace

Private Workstation

Active Meeting

Large Worksurface

EED Series
Rectangular Column
Multi-Motor
Sit-Stand Desks



Rectangular



L-Shape(90°)



Corner Shape(120°)



Back-to-Back



Durability and Technology

BIFMA

Meets and exceed BIFMA X5.5-2014 standard

20,000
Laboratory Test
100kg/220lbs

Laboratory tested to 20,000 cycles with a loaded weight of 100kg/220lbs

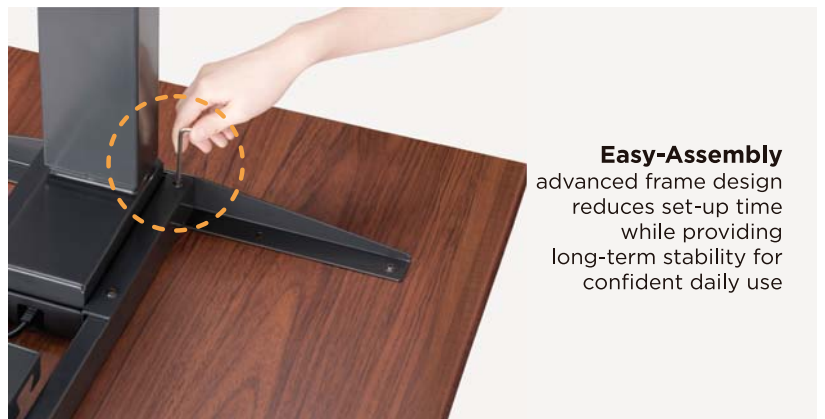


Proprietary Gyro-Current Collision Avoidance System
for better detection of soft and hard objects



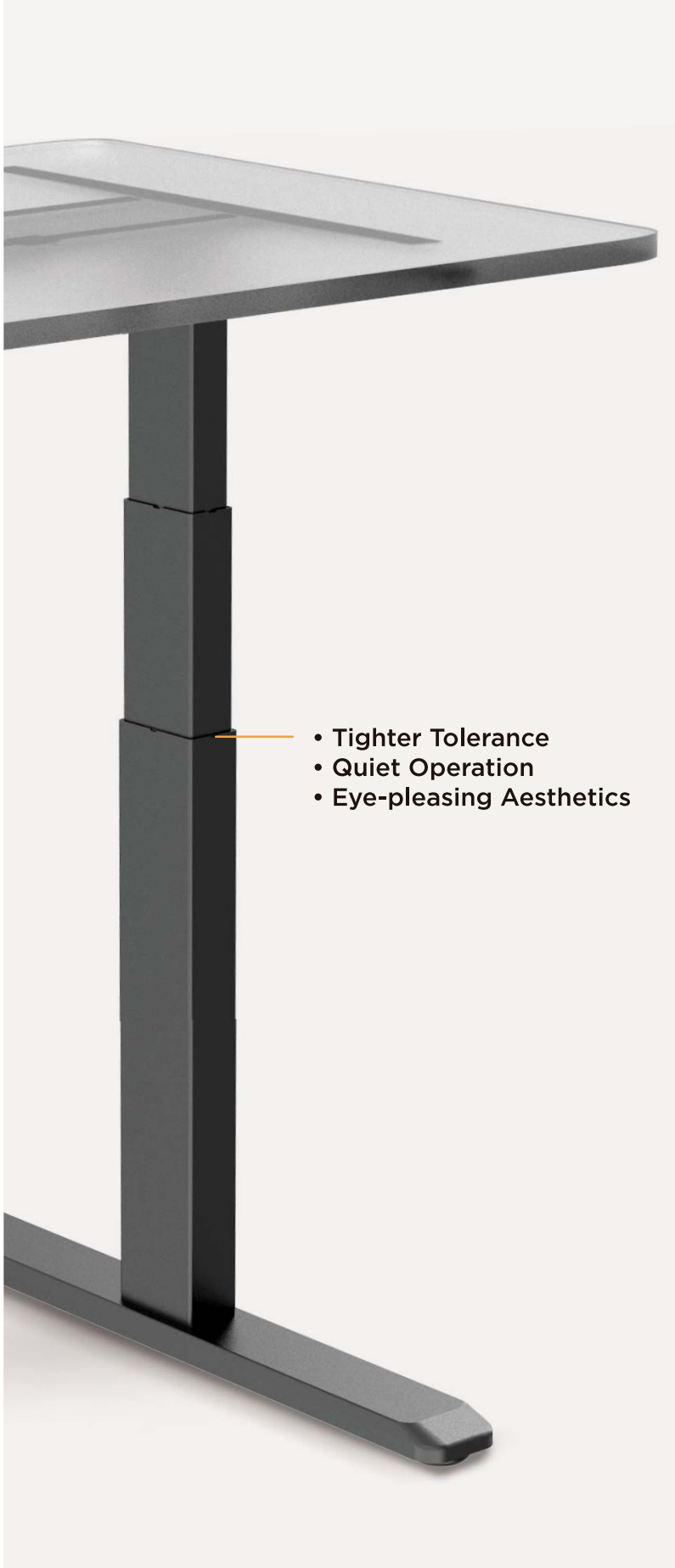
User Programmable Height Range

customize the upper and lower height settings to accommodate objects around you, such as under desk cabinets or storage units



Easy-Assembly

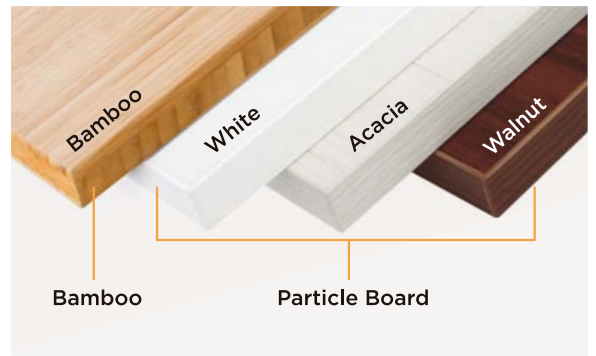
advanced frame design reduces set-up time while providing long-term stability for confident daily use



- Tighter Tolerance
- Quiet Operation
- Eye-pleasing Aesthetics



Lockable Screen
prevents unexpected operation



Additional Desktop
Material, Colors, Shape and Dimensions are customizable



Built-in Slots for Optional Privacy Panel
(panel not included)

EED Series

Rectangular Column Multi-Motor Sit-Stand Desks



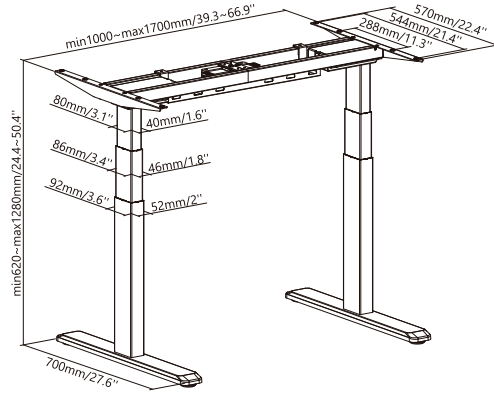
www.Ergovida.com.au

EED-623D Standard

Dual Motor 3-Stage

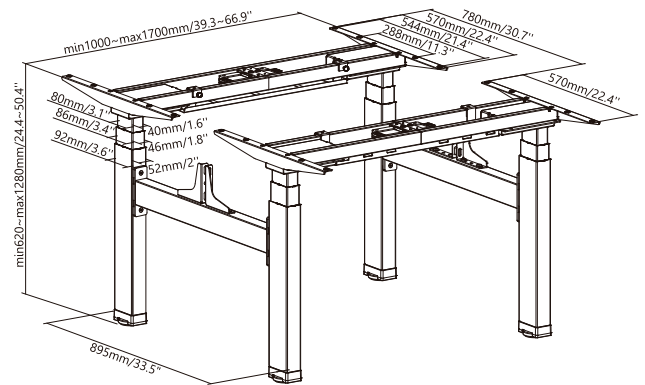


(Standard)



EED-643D

Quad Motor 3-Stage



Desk Frame Colors:



Item No.	EED-623D	EED-643D
Weight Capacity	125kg/275lbs	125kg/275lbs x2
Width Range	1000-1700mm (39.4"-66.9")	1000-1700mm (39.4"-66.9")
Height Range	620-1280mm (24.4"-50.4")	620-1280mm (24.4"-50.4")
Max. Speed	38mm/s	38mm/s
Control Type	Touch	Touch
Power Input	100-240V	100-240V

EED Series

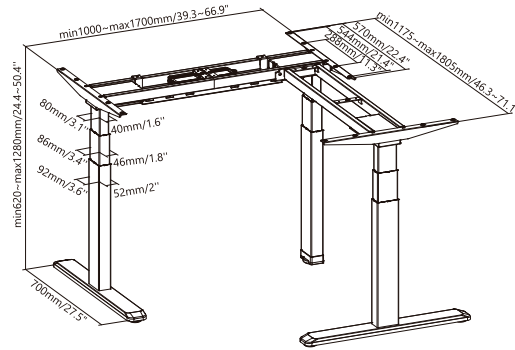
Rectangular Column Multi-Motor Sit-Stand Desks

EED-633D Standard

Triple Motor 3-Stage



(Standard)



Desk Frame Colors:



Item No.	EED-633D
Weight Capacity	150kg/330lbs
Width Range	1000-1700mm & 1175-1805mm (39.4"-66.9" & 46.3"-71.1")
Height Range	620-1280mm (24.4"-50.4")
Max. Speed	38mm/s
Control Type	Touch
Power Input	110V/230V