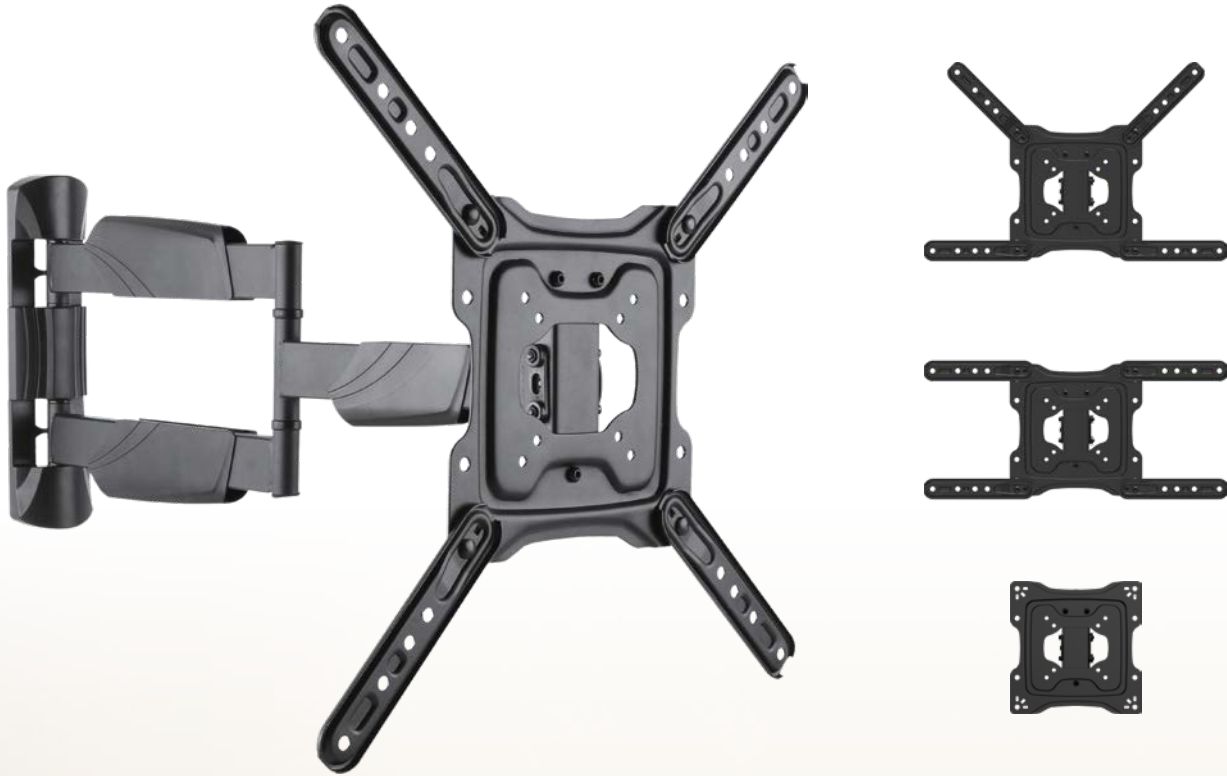


## FULL MOTION TV WALL MOUNT



Swivels up to 180°

Tilt range from -5° to +15°

Extends from wall up to 615mm

Unique ultra versatile VESA fitment

Suitable for OLED TV

Cable management

SUITS MOST  
TV SCREENS  
**23 TO 55**  
INCHES

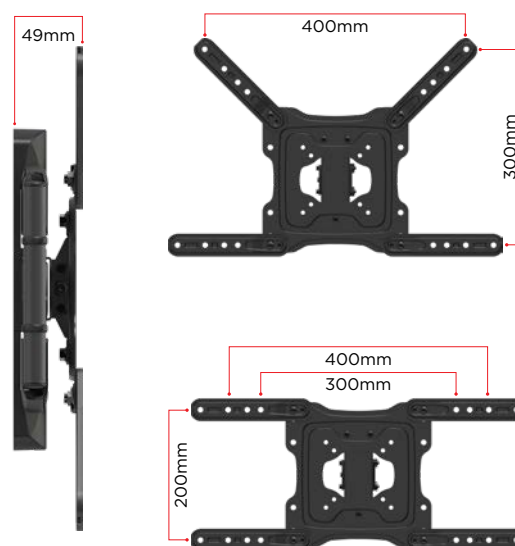
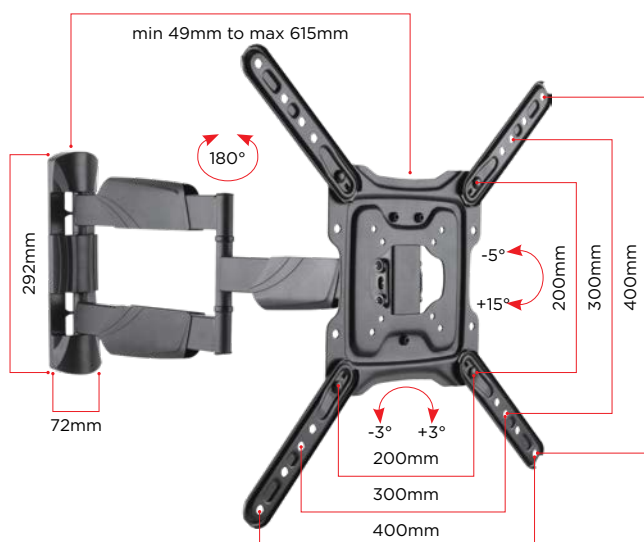
WEIGHT  
CAPACITY  
**35kg**

VESA  
UP TO  
**400 x 400**  
MM

COLOUR  
**BLACK**



# FULL MOTION TV WALL MOUNT



## FEATURES

### FULL MOTION ADJUSTMENT.

Swivels up to 180° and Tilts -5° to +15°. Fully adjustable so you can angle your TV to suit your viewing position. Ideal for mounting your TV in a corner or high on a wall. Ensure the perfect installation with your TV always level with the helpful -3° to +3° level adjustment.

### UNIQUE ULTRA-VERSATILE VESA MOUNTING.

The ultra-versatile VESA mounting options of this model allows fitment to a multitude of screens and screw hole patterns – including perfect fit to LG OLED TVs (up to 55”).

### QUALITY.

The VLM-3400 Wall Mount is made from quality materials and is covered by a ten year warranty.

## PACKAGE INCLUDES

Fully assembled articulated TV wall mount, removable VESA plate, 4 x VESA extension arms, wall plate covers, mounting hardware and assembly instructions.

## SPECIFICATIONS

|                             |  |
|-----------------------------|--|
| COLOUR                      | Black  |
| WEIGHT CAPACITY             | 35kg   |
| SCREEN SIZES                | 23" to 55" / 58cm to 140cm   |
| TILT RANGE                  | -5° to +15°<br>(Tilt range can be affected by larger screen sizes)                                 |
| MOUNTING SCREW HOLE PATTERN | VESA: 75x75, 100x100, 200x100, 200x200, 300x200, 300x300, 400x200, 400x300 and 400x400mm compliant |
| DISTANCE OF TV FROM WALL    | 49mm to 615mm  |

**NOTE:** If your TV, regardless of its screen size, weighs less than the weight capacity stated here, and the location of its mounting screw holes correspond with those listed, then this mount is suitable for your TV.



CANOHM

4/30 Prohasky Street,  
Port Melbourne  
Victoria 3207

Telephone: 1800 636 026  
Email: sales@canohm.com.au  
ezymount.com.au