

Suits most
TV screens from
32" to 55"

Screens
32-55"
81-140cm

Up to
400x400mm
VESA

Weight
Capacity
75kg

BLACK

TEN YEAR
10
WARRANTY

VM-F70

FLAT SCREEN FIXED WALL MOUNT

- Universal Fitment up to 55" screens
- Screen sits only 34mm from wall
- Anti Theft Secure Mounting
- Simple to install

See over page for detailed product information

VM-F70

Flat Screen Fixed Wall Mount

Features

Anti Theft Secure Mounting. A unique securing method is employed to ensure the screen cannot be removed by unauthorised persons. Once the screen is positioned on the wall plate a discrete locking rod slides neatly between the mounting rails and the wall plate. Once in place a padlock (not included) can be fitted to the end of the locking rod making removal of the screen virtually impossible.

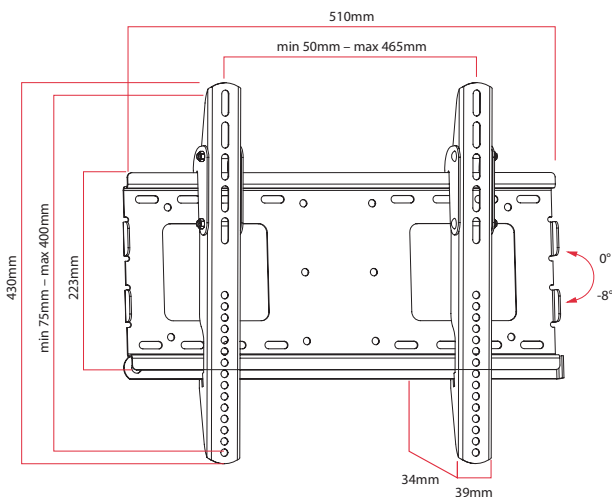
Universal. Easily attaches to most 32" to 55" (81 to 140cm) Plasma and LED/LCD screens weighing up to 75kgs using the supplied hardware kit and without the need for special tools. The slim design allows the screen to sit just 34mm from the wall.

Strong and Attractive. Heavy gauge steel construction is powder coated in an attractive black finish. The stylish and unobtrusive design fits easily into any environment.

Quality. The VM-F70 Wall Mount is made from quality materials and is covered by a ten year warranty.

Package includes

Universal mounting brackets x 2, tilt adaptors x 4, locking rod, wall mounting plate, mounting hardware and assembly instructions.



Anti-Theft



Choose from 0° or 8° tilt.



Specifications

Colour	Black
Capacity	75kg
Screen sizes	32" to 55" (81cm to 140cm)
Tilt Range	0° or -8° Fixed (Tilt range can be affected by larger screen sizes)
Dimensions	510(H) x 430(W) x 34(D)mm

Note: If your TV, regardless of its screen size, weighs less than the weight capacity stated here, and the location of its mounting screw holes correspond with those listed, then this mount is suitable for your TV.

Screens
32-55"
81-140cm

Up to
400x400mm
VESA

Weight
Capacity
75kg

BLACK

