

WALL 2145 Full-Motion TV Wall Mount (black)

Article number (SKU) 8353060
 Colour Black

Key benefits

- Simply Smart Value: Great comfort for an affordable price
- Tilt (up to 20°) to avoid reflections
- Smoothly turn your TV up to 180°
- Guide your cables
- Easily level your TV even after installation

For TVs up to 40 inch (102 cm)

WALL 2145 is a durable TV wall mount, suitable for 19 to 40 inch (48 to 102 cm) TVs weighing up to 15 kg (33 lbs).

Flexible viewing from anywhere in the room

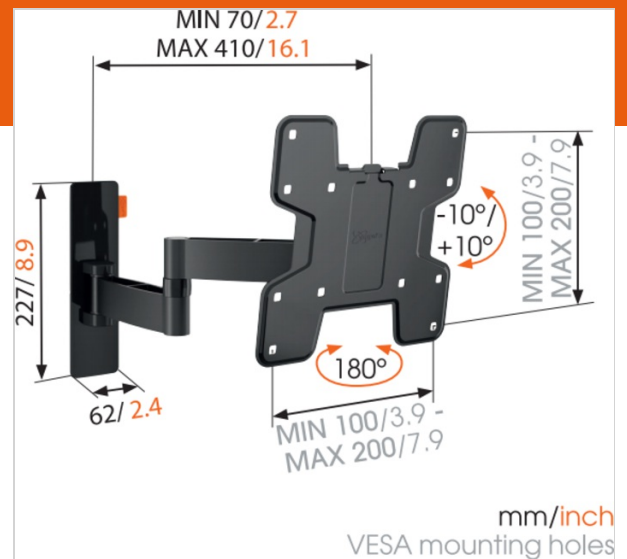
Now you can enjoy watching TV from different places with the WALL 2145 full-motion mount from Vogel's. The perfect view from the dining area and from the nearby living room. A great way to see your favourite TV show from a variety of places.

The WALL series: simply smart value

Cook along with your favourite chef. Enjoy a show while doing paperwork. And choose Vogel's WALL series to do so: a smart and modern TV wall mount with a quality build and clean finish that's easy on your budget. It's simply smart value.

Put your electronics right underneath your TV

With one of our TV mounting accessories, you can neatly store your game console, Blu-ray player and remote controls.



WALL 2145 Full-Motion TV Wall Mount (black)



VOGEL'S HOLDING BV 2017 (c) All rights reserved
 Subject to printing errors, technical and price
 amendments
 Date: 15-05-2017

www.vogels.com

Specifications

Product specifications

Product type number	WALL 2145
Article number (SKU)	8353060
Colour	Black
EAN single box	8712285327742
Product size	S
TÜV certified	Yes
Tilt	Tilt -10°/+10°
Turn	Up to 180°
Guarantee	Lifetime
Min. screen size (inch)	19
Max. screen size (inch)	40
Max. weight load (kg)	15
Standard fixed VESA patterns	100 mm x 100 mm 200 mm x 100 mm 200 mm x 200 mm
Max. bolt size	M8
Max. height of interface (mm)	301
Max. width of interface (mm)	302

Features

Functionality	Turn
Number of arms	2
Number of pivot points	3

Technical specifications and dimensions

Min. distance to the wall (mm)	70
Max. distance to the wall (mm)	410

